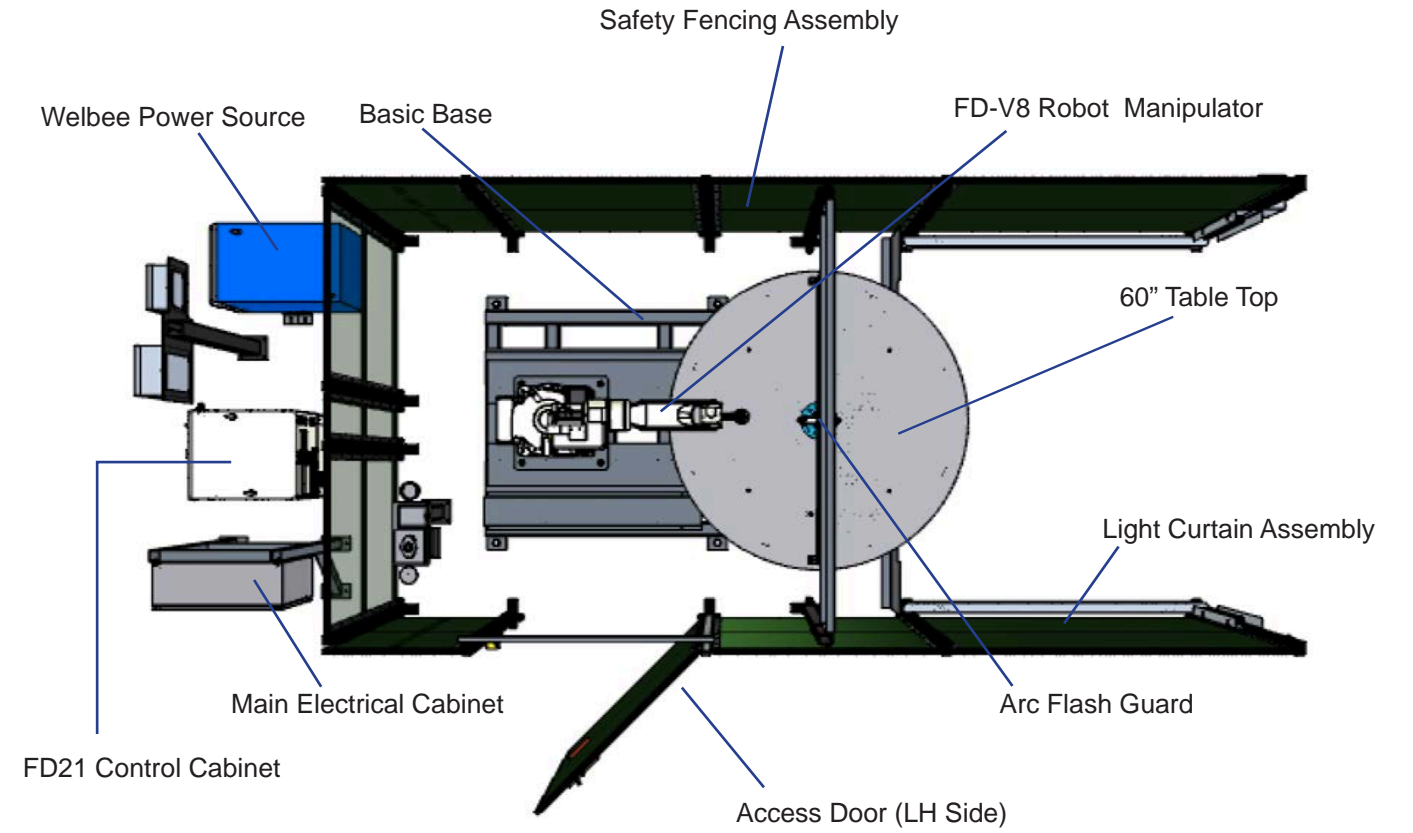
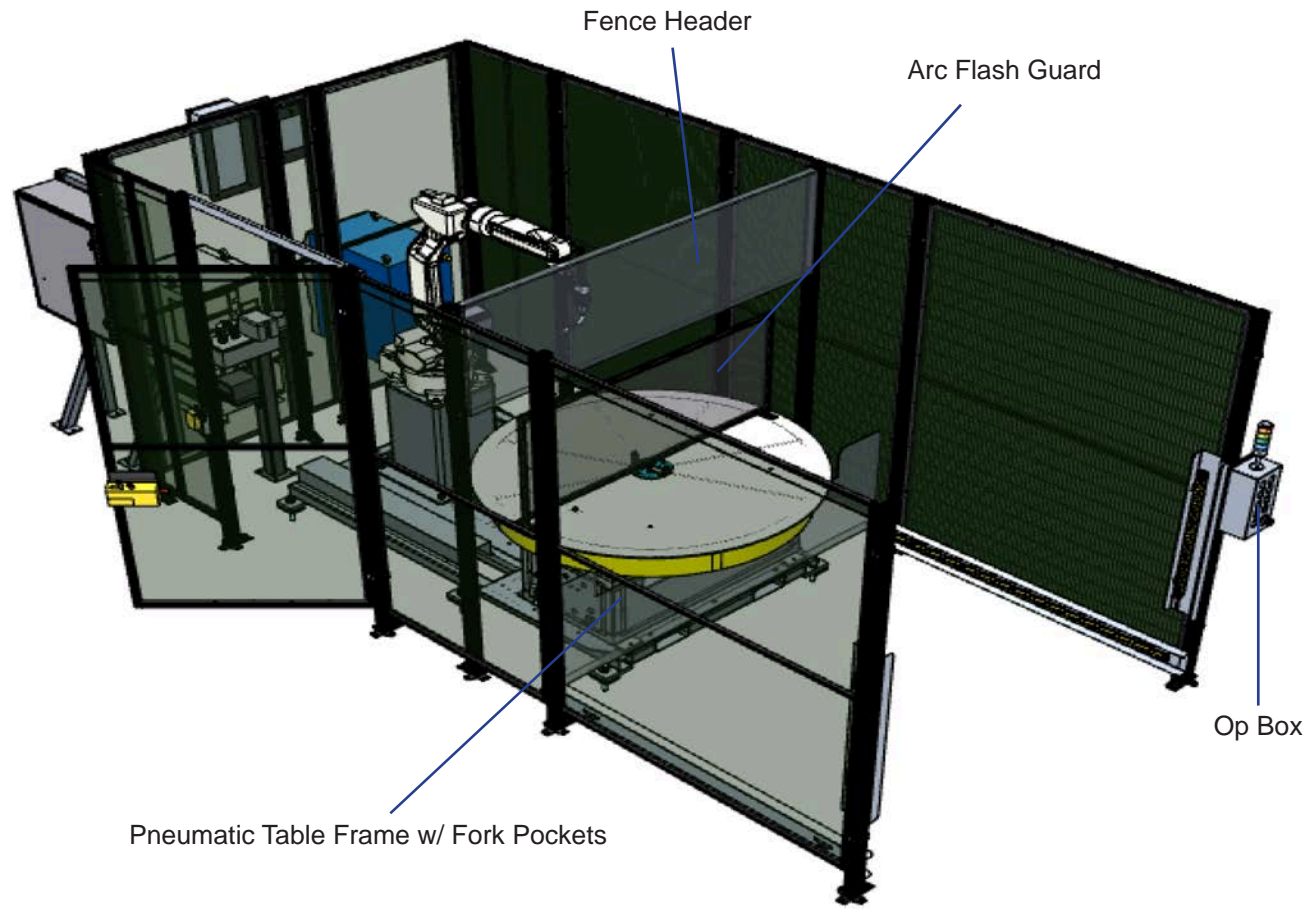


PT-ARC 600B



Standard Configuration:

PT-ARC 600B
60" pneumatic indexing table

Details:

- Index speed (180°) - 4.2 seconds
- Work capacity – 250kg/side
- Weight - approx. 2000kg
- Standard fork lift pockets
- Rack and pinion design
- Floor mounted safety fencing w/ arc flash curtains



Specifications

Footprint Dimensions:

Width: 2263mm (89.1")
Height: 2200mm (86.6")
Depth: 5406mm (212.8")

Manipulator Types:

- FD-V8
- FD-B6

Available I/O Slots:

28 Inputs/26 Outputs
(Additional Power Supply needed for Outputs)

Other Options:

- Fixture mounting pattern in table top
- Torch cleaning station
- Station Lighting
- Access door on RH side
- Standard Layout (PT-ARC 600)
- Extended I/O